

# JWLS03U

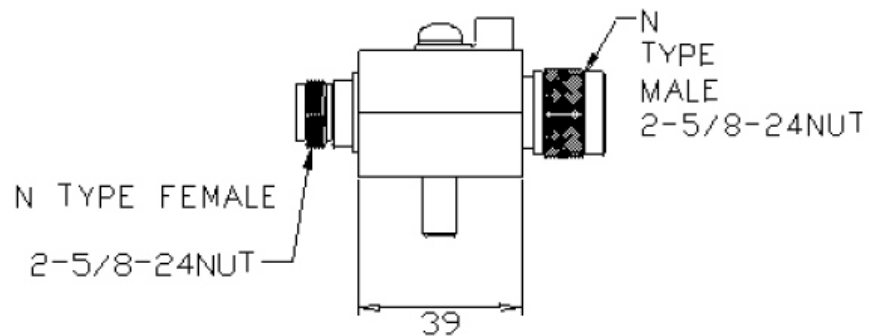


## Surge Protector/ Lightning Arrester

The JWLS03U is a gas discharge tube suppressor featuring wide-band operation up to 3 GHz. The unit features a N male (Plug) to N Female (Jack) connector.

Due to its low-cost and superior RF performance this unit is ideal for IEEE 802.11b/g Wireless LAN applications as well as ISM, MMDS, Cellular and PCS applications. Since this protector will pass DC it is suitable for applications where DC is carried through the coax cable such as remote amplifiers and LNA's

The unit's replaceable gas tube element, multi-strike capability and fast response time make it suitable for a wide range of applications. A ground lug and terminal is provided directly on the lightning protector housing which provides superior grounding.



### Electrical Specification:

<b>Frequency Range</b>	0 - 3 GHz
<b>VSRW</b>	Less than 1.5
<b>Insertion Loss</b>	0.2 dB
<b>Transmossion Loss</b>	-2.5dB

<b>AC Current Range</b>	20A (at voltage release=1S,testing period=5S, testing duration=3 min, per test)
<b>Pulse Current Range</b>	200A (at 10/1000µs, wave=300, testing duration=3 min, pre test)
<b>Impedance</b>	50 Ohm
<b>DC breakdown voltage</b>	230 ±20% (voltage on upgrade ratio @100V/S)
<b>Impulse breakdown voltage</b>	<600V (voltage on upgrade ratio @100V/S)
<b>Gas Tube Insulation Resistance</b>	10,000 MΩ
<b>Overtoltage Protection</b>	>150V (100mA, <150ms)
<b>Gap Can</b>	<1.5P

### Mechanical Specifications

<b>Connectors</b>	N-Female toN-Male
<b>Connector Body Material</b>	Nickel Plated Brass
<b>Body Material</b>	Anodized Aluminum
<b>Pin Material</b>	Gold Plated Brass
<b>Dimensions (max)</b>	75 mm x 50 mm x 20
<b>Weight</b>	107g

### Ordering information

MODEL	DESCRIPTION
JWLS03U	Surge Protector/ Lightning Arrester